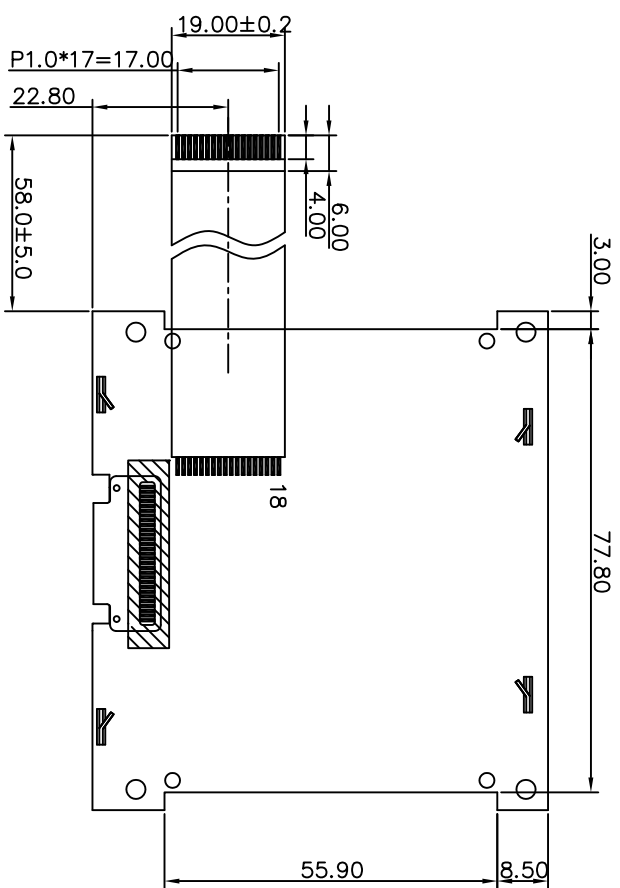
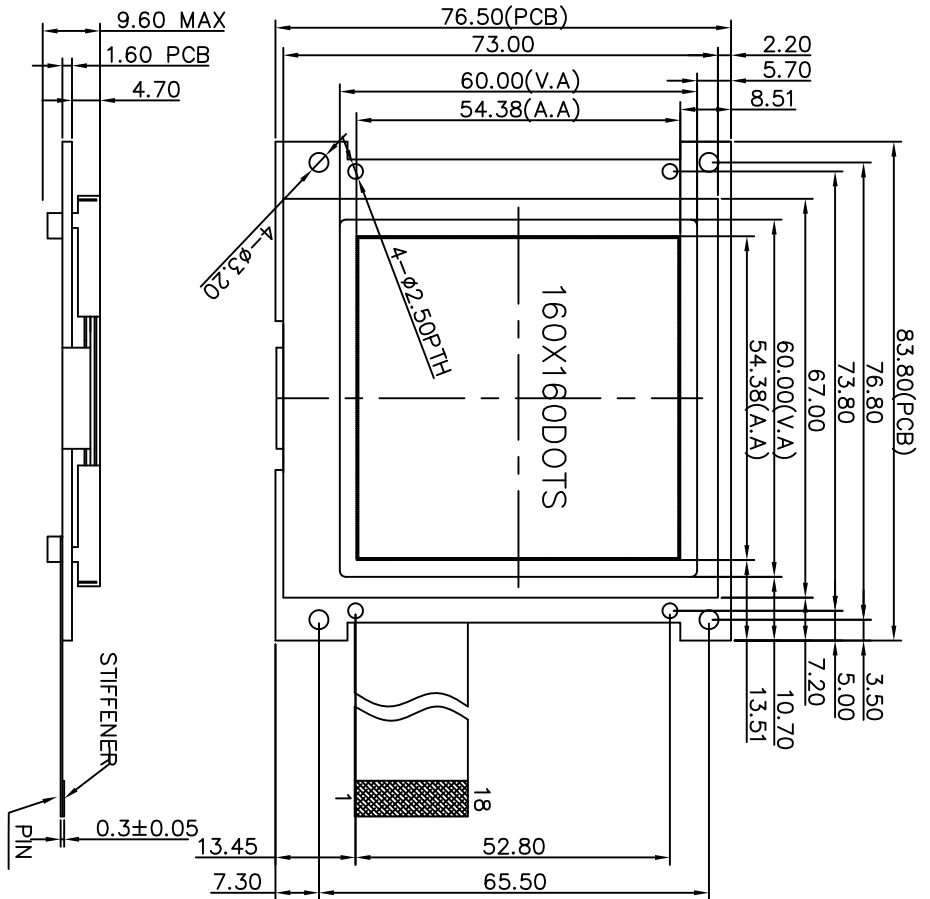
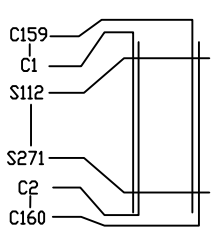
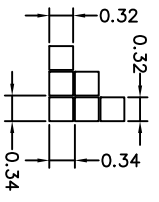


REV	DATE	DESCRIPTION	DESIGNED	CHECK	APPROVED



PIN	1	2	3	4	5	6	7	8	9	10	11	12	13	14	15	16	17	18
NAME	VSS	AO	WR	RD	XCS	RST	VDD	DB0	DB1	DB2	DB3	DB4	DB5	DB6	DB7	LED-	NC	LED+



- NOTE:
- 1.DISPLAY MODE: FSTN-TRANSFLECTIVE-POSITIVE-ANTI UV
 - 2.VIEWING DIR.: 6:00
 - 3.OP. TEMP.: -25°C~70°C
 - 4.ST. TEMP.: -30°C~80°C
 - 5.DRIVING METHOD: 1/160DUTY,1/10BIAS,
VDD=3.3V IC: (00G) UC1698U VLDD=16.5V
 - 6.BACKLIGHT: WHITE LED Vf=3.3V
 - 7.RoHS COMPLIANT